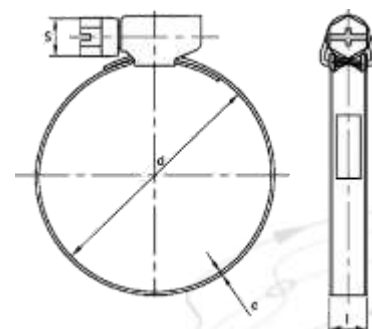




COLLIER BANDE NON PERFORÉE

LARGE DE 5, 9 ET 12 MM

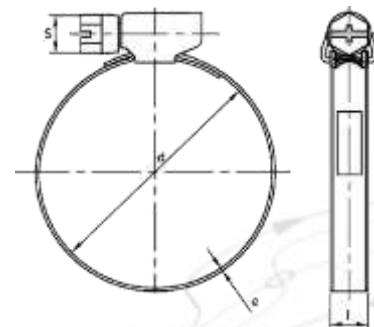
W1 ACIER ZINGUÉ



d	S	e	l	Boite
7-11	7	0.4	5.10	100
10-19	7	0.4	5.10	100
8-12	7	0.83	9.15	50
10-16	7	0.83	9.15	50
12-22	7	0.83	9.15	50
16-27	7	0.83	9.15	50
20-32	7	0.83	9.15	50
25-40	7	0.83	9.15	25
30-45	7	0.83	9.15	25
32-50	7	0.83	9.15	25
40-60	7	0.83	9.15	25
50-70	7	0.83	9.15	20
60-80	7	0.83	9.15	20
70-90	7	0.83	9.15	10
80-100	7	0.83	9.15	10
90-110	7	0.83	9.15	10
100-120	7	0.83	9.15	10
110-130	7	0.83	9.15	10
120-140	7	0.83	9.15	10
16-27	7	0.83	12.15	25
20-32	7	0.83	12.15	25
25-40	7	0.83	12.15	25
30-45	7	0.83	12.15	25
32-50	7	0.83	12.15	25
40-60	7	0.83	12.15	10
50-70	7	0.83	12.15	10
60-80	7	0.83	12.15	10
70-90	7	0.83	12.15	10
80-100	7	0.83	12.15	10
90-110	7	0.83	12.15	10
100-120	7	0.83	12.15	10
110-130	7	0.83	12.15	10
120-140	7	0.83	12.15	10
130-150	7	0.83	12.15	10
140-160	7	0.83	12.15	10
150-170	7	0.83	12.15	10
160-180	7	0.83	12.15	10
170-190	7	0.83	12.15	10
180-200	7	0.83	12.15	10
190-210	7	0.83	12.15	10
200-220	7	0.83	12.15	10

COLLIER BANDE NON PERFORÉE LARGE DE 5, 9 ET 12 MM

W4 INOX A2



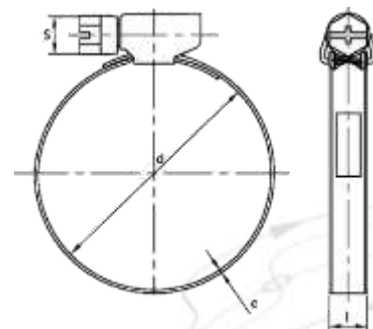
d	S	e	l	Boite
7-11	4	0.4	5.10	50
10-19	4	0.4	5.10	50
8-12	7	0.73	9.15	50
10-16	7	0.73	9.15	50
12-22	7	0.73	9.15	50
16-27	7	0.73	9.15	50
20-32	7	0.73	9.15	50
25-40	7	0.73	9.15	25
30-45	7	0.73	9.15	25
32-50	7	0.73	9.15	25
40-60	7	0.73	9.15	25
50-70	7	0.73	9.15	20
60-80	7	0.73	9.15	20
70-90	7	0.73	9.15	10
80-100	7	0.73	9.15	10
90-110	7	0.73	9.15	10
100-120	7	0.73	9.15	10
110-130	7	0.73	9.15	10
120-140	7	0.73	9.15	10
16-27	7	0.73	12.15	25
20-32	7	0.73	12.15	25
25-40	7	0.73	12.15	25
30-45	7	0.73	12.15	25
32-50	7	0.73	12.15	25
40-60	7	0.73	12.15	10
50-70	7	0.73	12.15	10
60-80	7	0.73	12.15	10
70-90	7	0.73	12.15	10
80-100	7	0.73	12.15	10
90-110	7	0.73	12.15	10
100-120	7	0.73	12.15	10
110-130	7	0.73	12.15	10
120-140	7	0.73	12.15	10
130-150	7	0.73	12.15	10
140-160	7	0.73	12.15	10
150-170	7	0.73	12.15	10
160-180	7	0.73	12.15	10
170-190	7	0.73	12.15	10
180-200	7	0.73	12.15	10
190-210	7	0.73	12.15	10
200-220	7	0.73	12.15	10

* AUTRES DIMENSIONS NOUS CONTACTER contact@visserie-sabf.fr ou au [02.40.49.94.83](tel:02.40.49.94.83)



COLLIER BANDE NON PERFORÉE LARGE DE 5, 9 ET 12 MM

W5 INOX A4



d	S	e	l	Boite
8-12	7	0.73	9.15	50
10-16	7	0.73	9.15	50
12-22	7	0.73	9.15	50
16-27	7	0.73	9.15	50
20-32	7	0.73	9.15	50
25-40	7	0.73	9.15	25
30-45	7	0.73	9.15	25
32-50	7	0.73	9.15	25
40-60	7	0.73	9.15	25
50-70	7	0.73	9.15	20
60-80	7	0.73	9.15	20
70-90	7	0.73	9.15	10
80-100	7	0.73	9.15	10
90-110	7	0.73	9.15	10
16-27	7	0.73	12.15	25
20-32	7	0.73	12.15	25
25-40	7	0.73	12.15	25
30-45	7	0.73	12.15	25
32-50	7	0.73	12.15	25
40-60	7	0.73	12.15	10
50-70	7	0.73	12.15	10
60-80	7	0.73	12.15	10
70-90	7	0.73	12.15	10
80-100	7	0.73	12.15	10
90-110	7	0.73	12.15	10
100-120	7	0.73	12.15	10
110-130	7	0.73	12.15	10
120-140	7	0.73	12.15	10
130-150	7	0.73	12.15	10
140-160	7	0.73	12.15	10
150-170	7	0.73	12.15	10
160-180	7	0.73	12.15	10
170-190	7	0.73	12.15	10
180-200	7	0.73	12.15	10