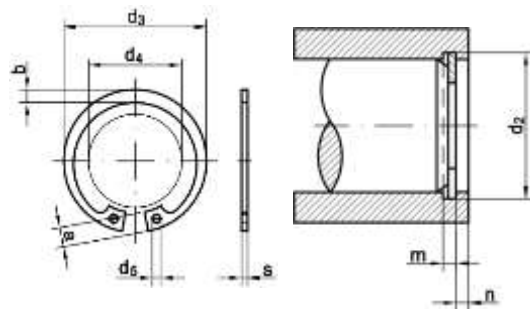




CIRCLIPS
POUR ALÉSAGE INTERIEUR
DIN 472
ACIER BRUT



Dimensions	8	9	10	11	12	13	14	15
s	0.8	0.8	1	1	1	1	1	1
d3	8.7	9.8	10.8	11.8	13	14.1	15.1	16.2
a	2.4	2.5	3.2	3.3	3.4	3.6	3.7	3.7
b	1.1	1.3	1.4	1.5	1.7	1.8	1.9	2
d5	1	1	1.2	1.2	1.5	1.5	1.7	1.7
d2	8.4	9.4	10.4	11.4	12.5	13.6	14.6	15.7
m	0.9	0.9	1.1	1.1	1.1	1.1	1.1	1.1
n	0.6	0.6	0.6	0.6	0.8	0.9	0.9	1.1
d4	3	3.7	3.3	4.1	4.9	5.4	6.2	7.2

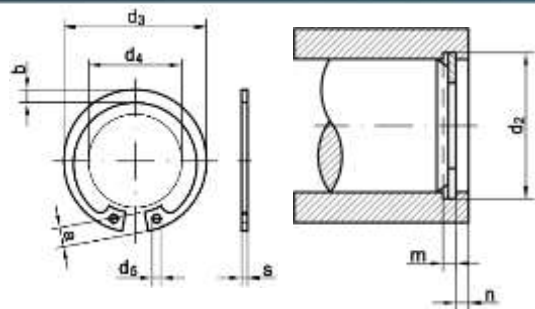
Dimensions	16	17	18	19	20	21	22	23
s	1	1	1	1	1	1	1	1.2
d3	17.3	18.3	19.5	20.5	21.5	22.5	23.5	24.6
a	3.8	3.9	4.1	4.1	4.2	4.2	4.2	4.2
b	2	2.1	2.2	2.2	2.3	2.4	2.5	2.5
d5	1.7	1.7	2	2	2	2	2	2
d2	16.8	17.8	19	20	21	22	23	24.1
m	1.1	1.1	1.1	1.1	1.1	1.1	1.1	1.3
n	1.2	1.2	1.5	1.5	1.5	1.5	1.5	1.7
d4	8	8.8	9.4	10.4	11.2	12.2	13.2	-

Dimensions	24	25	26	27	28	29	30	31
s	1.2	1.2	1.2	1.2	1.2	1.2	1.2	1.2
d3	25.9	26.9	27.9	29.1	30.1	31.1	32.1	33.4
a	4.4	4.5	4.7	4.7	4.8	4.8	4.8	5.2
b	2.6	2.7	2.8	2.9	2.9	3	3	3.2
d5	2	2	2	2	2	2	2	2.5
d2	25.2	26.2	27.2	28.4	29.4	30.4	31.4	32.7
m	1.3	1.3	1.3	1.3	1.3	1.3	1.3	1.3
n	1.8	1.8	1.8	2.1	2.1	2.1	2.1	2.6
d4	14.8	15.5	16.1	-	17.9	-	19.9	20

* AUTRES DIMENSIONS NOUS CONTACTER contact@visserie-sabf.fr ou au [02.40.49.94.83](tel:02.40.49.94.83)



CIRCLIPS
POUR ALÉSAGE INTERIEUR
DIN 472
ACIER BRUT



Dimensions	32	33	34	35	36	37	38	39
s	1.2	1.2	1.5	1.5	1.5	1.5	1.5	1.5
d3	34.4	35.5	36.5	37.8	38.8	39.8	40.8	42
a	5.4	5.4	5.4	5.4	5.4	5.5	5.5	5.6
b	3.2	3.3	3.3	3.4	3.5	3.6	3.7	3.8
d5	2.5	2.5	2.5	2.5	2.5	2.5	2.5	2.5
d2	33.7	34.7	35.7	37	38	39	40	41
m	1.3	1.3	1.6	1.6	1.6	1.6	1.6	1.6
n	2.6	2.6	2.6	3	3	3	3	3
d4	20.6	-	22.6	23.6	24.6	25.4	26.4	-

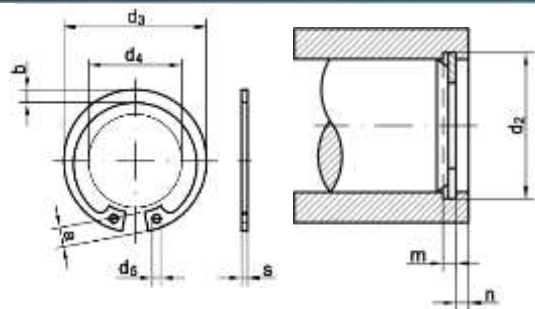
Dimensions	40	41	42	44	45	46	47	48
s	1.75	1.75	1.75	1.75	1.75	1.75	1.75	1.75
d3	43.5	44.5	45.5	47.5	48.5	49.5	50.5	51.5
a	5.8	5.9	5.9	6	6.2	6.3	6.4	6.4
b	3.9	4	4.1	4.2	4.3	4.4	4.4	4.5
d5	2.5	2.5	2.5	2.5	2.5	2.5	2.5	2.5
d2	42.5	43.5	44.5	46.5	47.5	48.5	49.5	50.5
m	1.85	1.85	1.85	1.85	1.85	1.85	1.85	1.85
n	3.8	3.8	3.8	3.8	3.8	3.8	3.8	3.8
d4	27.8	-	29.6	-	32	-	33.5	34.5

Dimensions	50	51	52	53	54	55	56	57
s	2	2	2	2	2	2	2	2
d3	54.2	55.2	56.2	57.2	58.2	59.2	60.2	61.2
a	6.5	6.5	6.7	6.7	6.7	6.8	6.8	6.8
b	4.6	4.7	4.7	4.9	5	5	5.1	5.1
d5	2.5	2.5	2.5	2.5	2.5	2.5	2.5	2.5
d2	53	54	55	56	57	58	59	60
m	2.15	2.15	2.15	2.15	2.15	2.15	2.15	2.15
n	4.5	4.5	4.5	4.5	4.5	4.5	4.5	4.5
d4	36.3	-	37.9	-	-	40.7	41.7	-



CIRCLIPS POUR ALÉSAGE INTERIEUR

DIN 472
ACIER BRUT



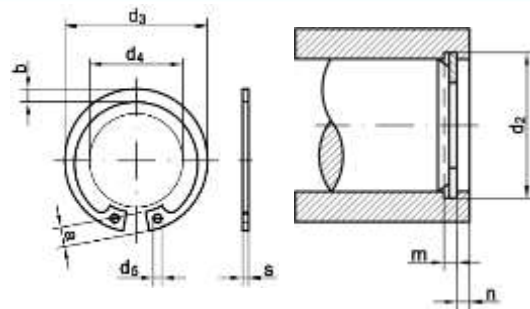
Dimensions	58	60	62	63	64	65	67	68
s	2	2	2	2	2	2.5	2.5	2.5
d3	62.2	64.2	66.2	67.2	68.2	69.2	71.5	72.5
a	6.9	7.3	7.3	7.3	7.4	7.6	7.7	7.8
b	5.2	5.4	5.5	5.6	5.7	5.8	6	6.1
d5	2.5	2.5	2.5	2.5	2.5	3	3	3
d2	61	63	65	66	67	68	70	71
m	2.15	2.15	2.15	2.15	2.15	2.65	2.65	2.65
n	4.5	4.5	4.5	4.5	4.5	4.5	4.5	4.5
d4	43.5	44.7	46.7	47.7	-	49	-	51.6

Dimensions	70	72	75	77	78	80	82	85
s	2.5	2.5	2.5	2.5	2.5	2.5	2.5	3
d3	74.5	76.5	79.5	82.5	82.5	85.5	87.5	90.5
a	7.8	7.8	7.8	8.5	8.5	8.5	8.5	8.6
b	6.2	6.4	6.6	6.8	6.8	7	7	7.2
d5	3	3	3	3	3	3	3	3.5
d2	73	75	78	80	81	83.5	85.5	88.5
m	2.65	2.65	2.65	2.65	2.65	2.65	2.65	3.15
n	4.5	4.5	4.5	4.5	4.5	5.3	5.3	5.3
d4	53.6	55.6	58.6	-	60.1	62.1	64.1	66.9

Dimensions	70	72	75	77	78	80	82	85
s	2.5	2.5	2.5	2.5	2.5	2.5	2.5	3
d3	74.5	76.5	79.5	82.5	82.5	85.5	87.5	90.5
a	7.8	7.8	7.8	8.5	8.5	8.5	8.5	8.6
b	6.2	6.4	6.6	6.8	6.8	7	7	7.2
d5	3	3	3	3	3	3	3	3.5
d2	73	75	78	80	81	83.5	85.5	88.5
m	2.65	2.65	2.65	2.65	2.65	2.65	2.65	3.15
n	4.5	4.5	4.5	4.5	4.5	5.3	5.3	5.3
d4	53.6	55.6	58.6	-	60.1	62.1	64.1	66.9



CIRCLIPS
POUR ALÉSAGE INTERIEUR
DIN 472
ACIER BRUT



Dimensions	105	108	110	112	115	118	120	122
s	4	4	4	4	4	4	4	4
d3	112	115	117	119	122	125	127	129
a	9.5	9.5	10.4	10.5	10.5	10.7	11	11
b	8.7	8.9	9	9.1	9.3	9.6	9.7	9.8
d5	3.5	3.5	3.5	3.5	3.5	3.5	3.5	4
d2	109	112	114	116	119	122	124	126
m	4.15	4.15	4.15	4.15	4.15	4.15	4.15	4.15
n	6	6	6	6	6	6	6	6
d4	85	88	88.2	90	93	-	96.9	-

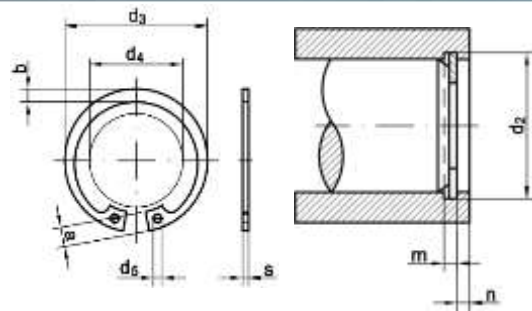
Dimensions	125	128	130	132	135	138	140	142	145	148
s	4	4	4	4	4	4	4	4	4	4
d3	132	135	137	139	142	145	147	149	152	155
a	11	11	11	11	11.2	11.2	11.2	11.3	11.4	11.8
b	10	10.2	10.2	10.3	10.5	10.6	10.7	10.8	10.9	11.1
d5	4	4	4	4	4	4	4	4	4	4
d2	129	132	134	136	139	142	144	146	149	152
m	4.15	4.15	4.15	4.15	4.15	4.15	4.15	4.15	4.15	4.15
n	6	6	6	6	6	6	6	6	6	6
d4	101.9	-	106.9	-	111.5	-	116.5	-	121	-

Dimensions	150	152	155	160	165	168	170	175	180	185
s	4	4	4	4	4	4	4	4	4	4
d3	158	161	164	169	174.5	177.5	179.5	184.5	189.5	194.5
a	12	12	12	13	13	13.5	13.5	13.5	14.2	14.2
b	11.2	11.3	11.4	11.6	11.8	12.1	12.2	12.7	13.2	13.7
d5	4	4	4	4	4	4	4	4	4	4
d2	155	157	160	165	170	173	175	180	185	190
m	4.15	4.15	4.15	4.15	4.15	4.15	4.15	4.15	4.15	4.15
n	7.5	7.5	7.5	7.5	7.5	7.5	7.5	7.5	7.5	7.5
d4	124.8	-	129.8	132.7	137.7	-	141.6	146.6	150.2	155.2

* AUTRES DIMENSIONS NOUS CONTACTER contact@visserie-sabf.fr ou au [02.40.49.94.83](tel:02.40.49.94.83)



CIRCLIPS
POUR ALÉSAGE INTERIEUR
DIN 472
ACIER BRUT



Dimensions	190	195	200	205	210	215	220	225	230	240
s	4	4	4	5	5	5	5	5	5	5
d3	199.5	204.5	209.5	217	222	227	232	237	242	252
a	14.2	14.2	14.2	14.2	14.2	14.2	14.2	14.2	14.2	14.2
b	13.8	13.8	14	14	14	14	14	14	14	14
d5	4	4	4	4	4	4	4	4	4	4
d2	195	200	205	211	216	221	226	231	236	246
m	4.15	4.15	4.15	5.15	5.15	5.15	5.15	5.15	5.15	5.15
n	7.5	7.5	7.5	9	9	9	9	9	9	9
d4	160.2	165.2	170.2	-	180.2	-	190.2	-	200.2	210.2

Dimensions	245	250	255	260	265	270	275	280	285	290
s	5	5	5	5	5	5	5	5	5	5
d3	257	262	270	275	280	285	290	295	300	305
a	14.2	14.2	16.2	16.2	16.2	16.2	16.2	16.2	16.2	16.2
b	14	14	16	16	16	16	16	16	16	16
d5	4	4	5	5	5	5	5	5	5	5
d2	251	256	263	268	273	278	283	288	293	298
m	5.15	5.15	5.15	5.15	5.15	5.15	5.15	5.15	5.15	5.15
n	9	9	12	12	12	12	12	12	12	12
d4	-	220.2	-	226	-	236	-	246	-	256

Dimensions	295	300	310	320	340	360
s	5	5	6	6	6	6
d3	310	315	327	337	357	377
a	16.2	16.2	-	-	-	-
b	16	16	20	20	20	20
d5	5	5	6	6	6	6
d2	303	308	320	330	350	370
m	5.15	5.15	3.2	6.2	6.2	6.2
n	12	12	15	15	15	15
d4	-	266	-	-	-	-

* AUTRES DIMENSIONS NOUS CONTACTER contact@visserie-sabf.fr ou au [02.40.49.94.83](tel:02.40.49.94.83)